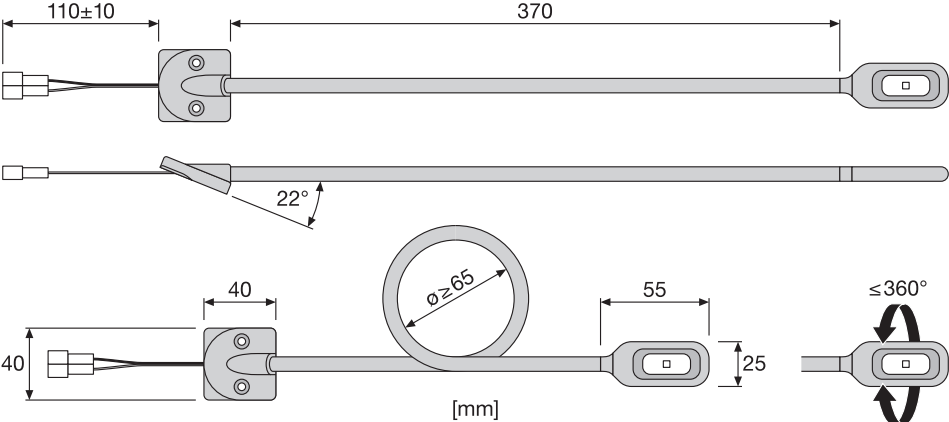
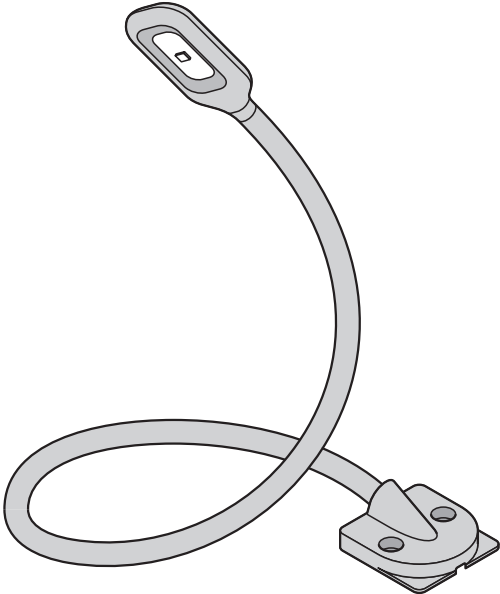
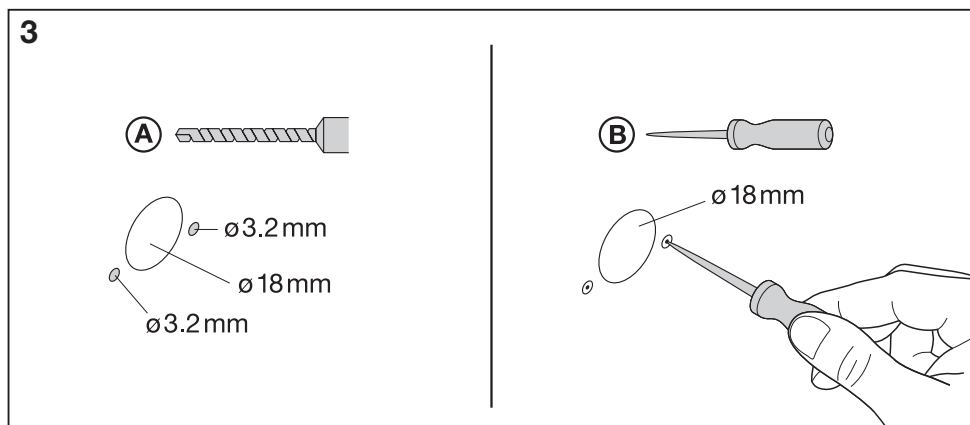
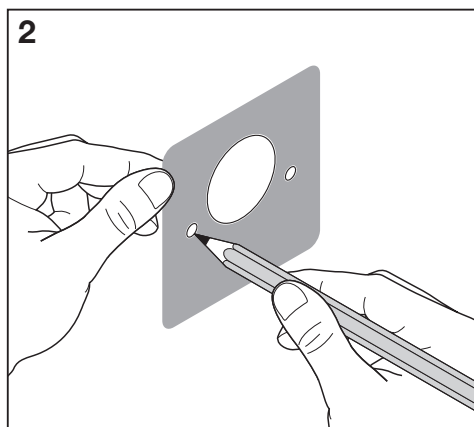
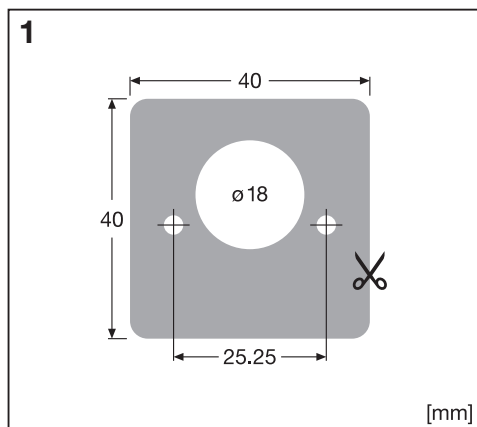
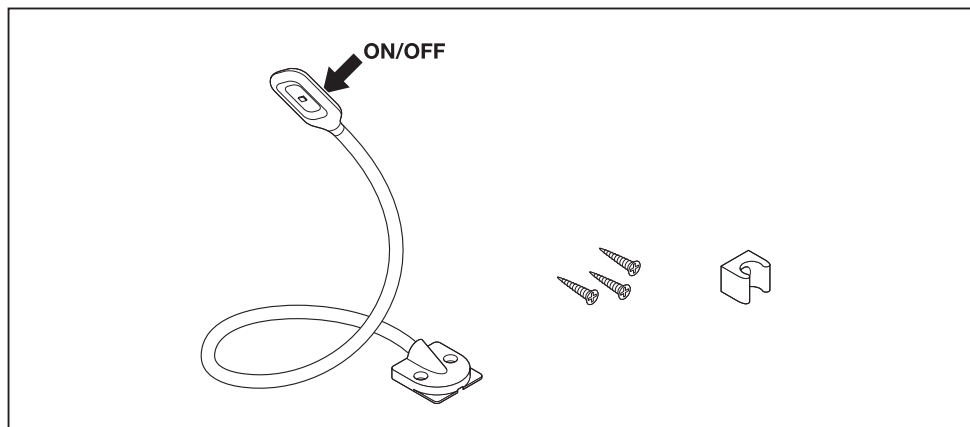


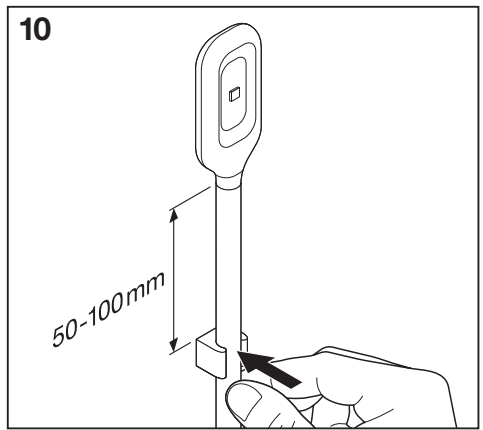
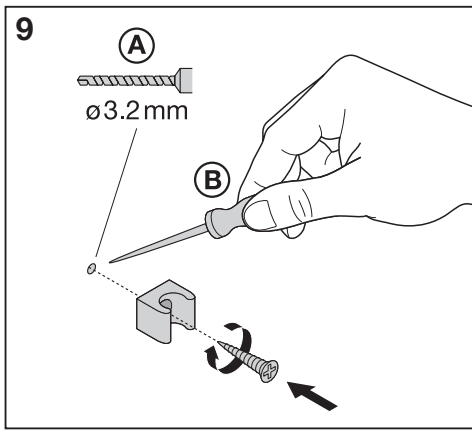
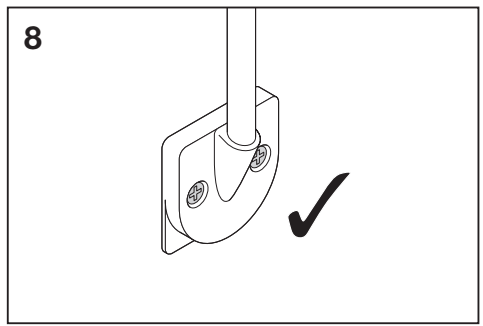
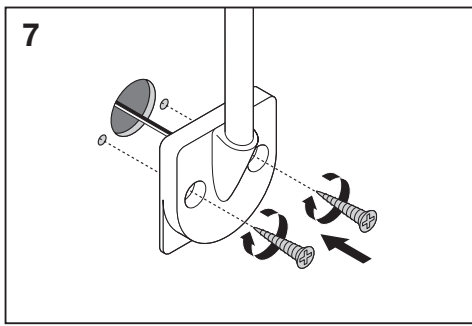
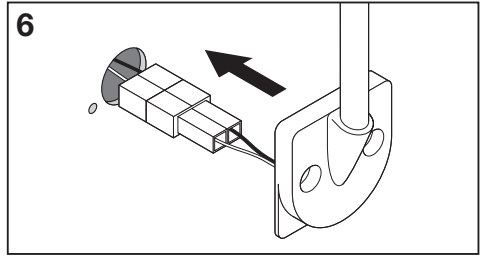
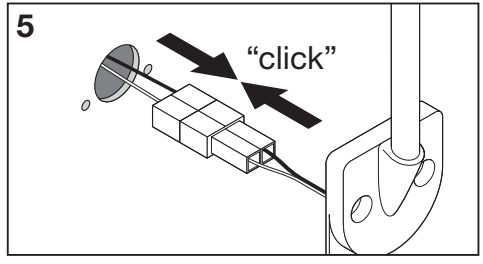
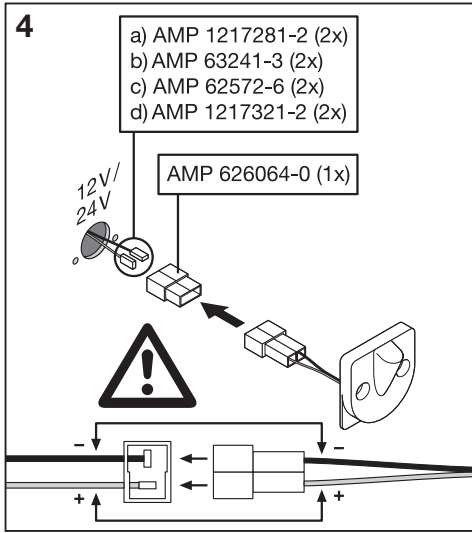
# LED ONYX COPILOT® L

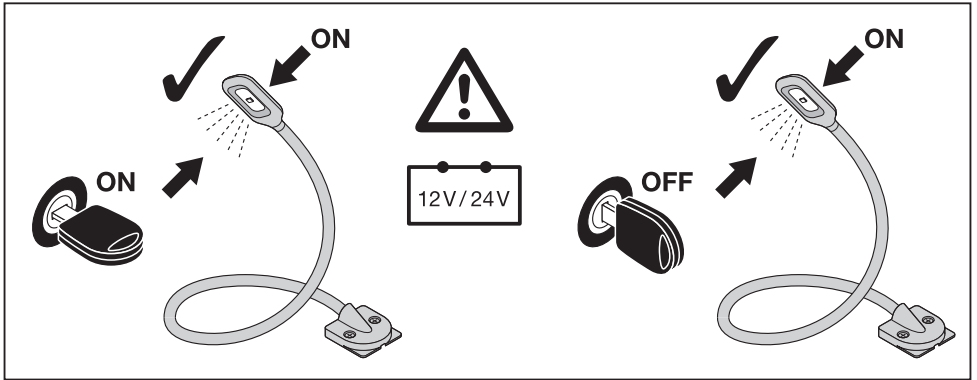
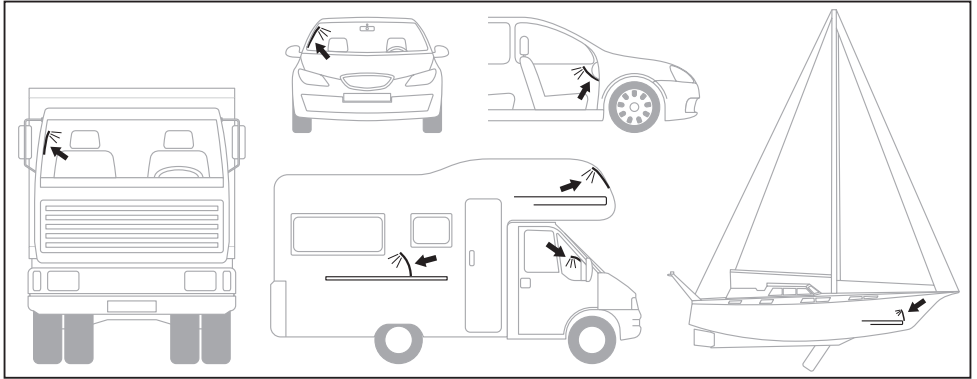
ONYX L+7TCS



**OSRAM**







[www.osram.com/am-guarantee](http://www.osram.com/am-guarantee)

OSRAM Prosperity Co. Ltd  
 Room 4007-4009 Office Tower  
 Convention Plaza  
 1 Harbour Road  
 Wanchai, Hong Kong  
[www.osram.com](http://www.osram.com)



C10449057  
 G15118246  
 15.11.22



OSRAM GmbH  
 Nonnendammallee 44  
 13629 Berlin  
 Germany  
[www.osram.com](http://www.osram.com)