

Xenon Standard 35 W P32d-2

The NEOLUX 12 V xenon headlight lamps are characterized by an especially long life and a light color and intensity which create a daylight effect. The result: a better-illuminated road.



Product family benefits

- Better visibility
- Remarkable illumination
- More light enables drivers to see farther and thereby allows greater reaction time
- Longer replacement cycle
- Suitable for many xenon headlights

Product family features

- Clear white and bright light
- Focused light beam
- Light color and intensity create a daylight effect
- Long lifetime
- Good quality thanks to German technology

Areas of application

- Headlight



Electrical data

Nominal wattage	35.00 W
Nominal voltage	85.0 V

Photometrical data

Color temperature	4300 K
-------------------	--------

Dimensions & weight

Product weight	16.10 g
Length	77.3 mm

Additional product data

Base (standard designation)	P32d-2
-----------------------------	--------

Certificates & standards

ECE category	D2S
--------------	-----

Logistical data

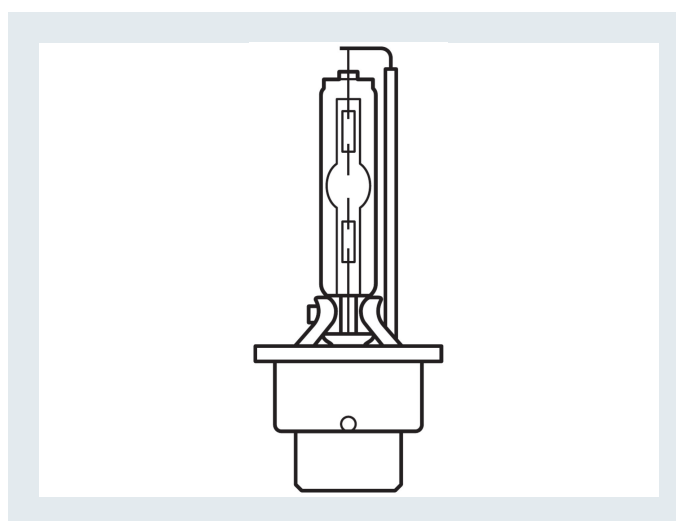
Order reference	NX2S
-----------------	------

Environmental information

Date of Declaration	11-03-2022
Primary Article Identifier	4027289014654 4052899215979 4055462206787 4055462206862 4062172006255 4055462299062 4055462250421
Candidate List Substance 1	No declarable substances contained
Declaration No. in SCIP database	In work

Packaging Information

Packaging description	EAN	Packaging type	Amount of article
NEOLUX NX2S-SCB	4052899215979	Folding box	1





NEOLUX Automotive Lighting
OSRAM GmbH

Safety advice

Xenon lamp change is recommended to be carried out by a professional and in pairs

Marcel-Breuer-Str 6
80807 Munich, Germany

Phone +49 89 6213-0
Fax +49 89 6213-2020

www.neolux-lighting.com